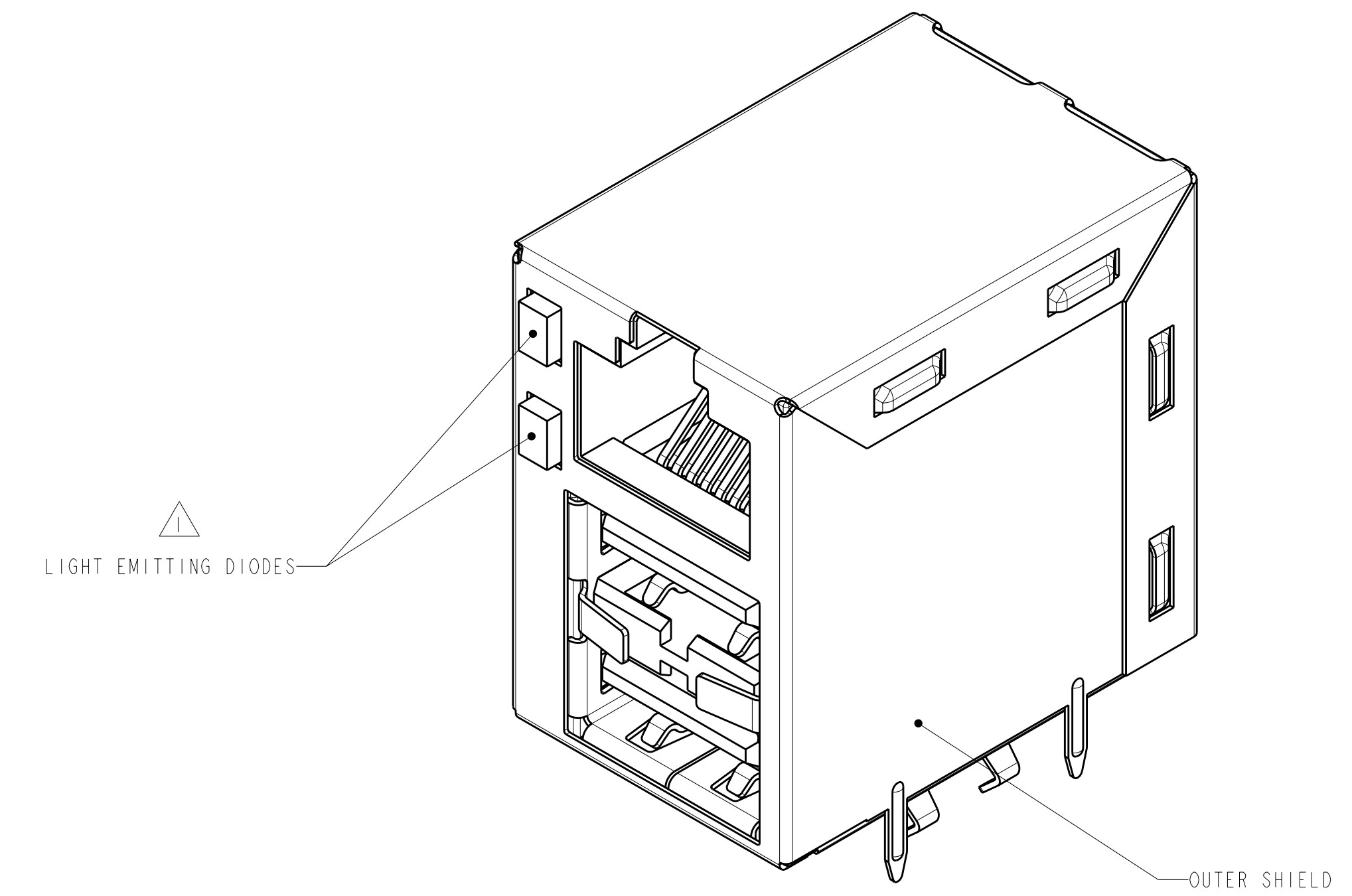
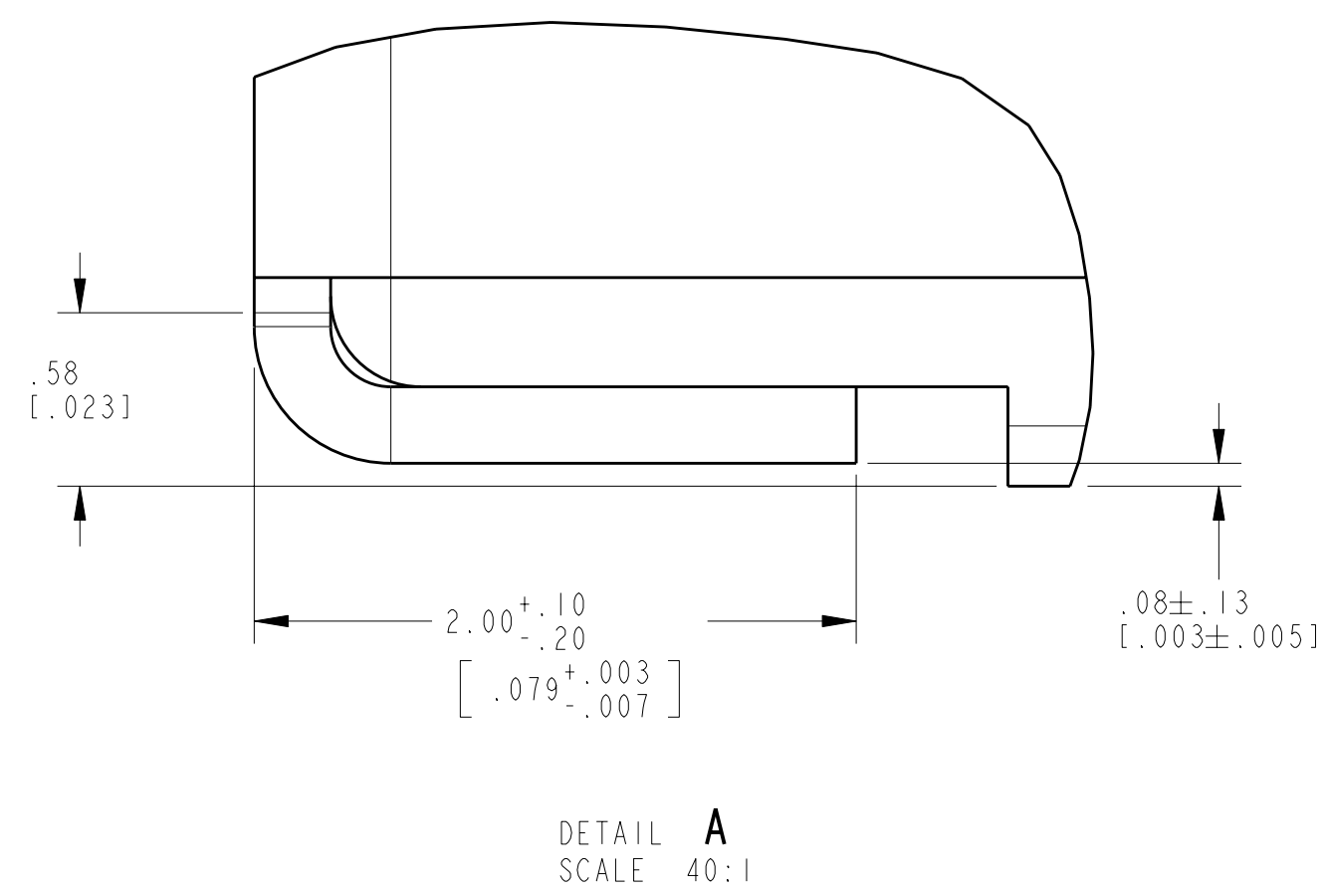
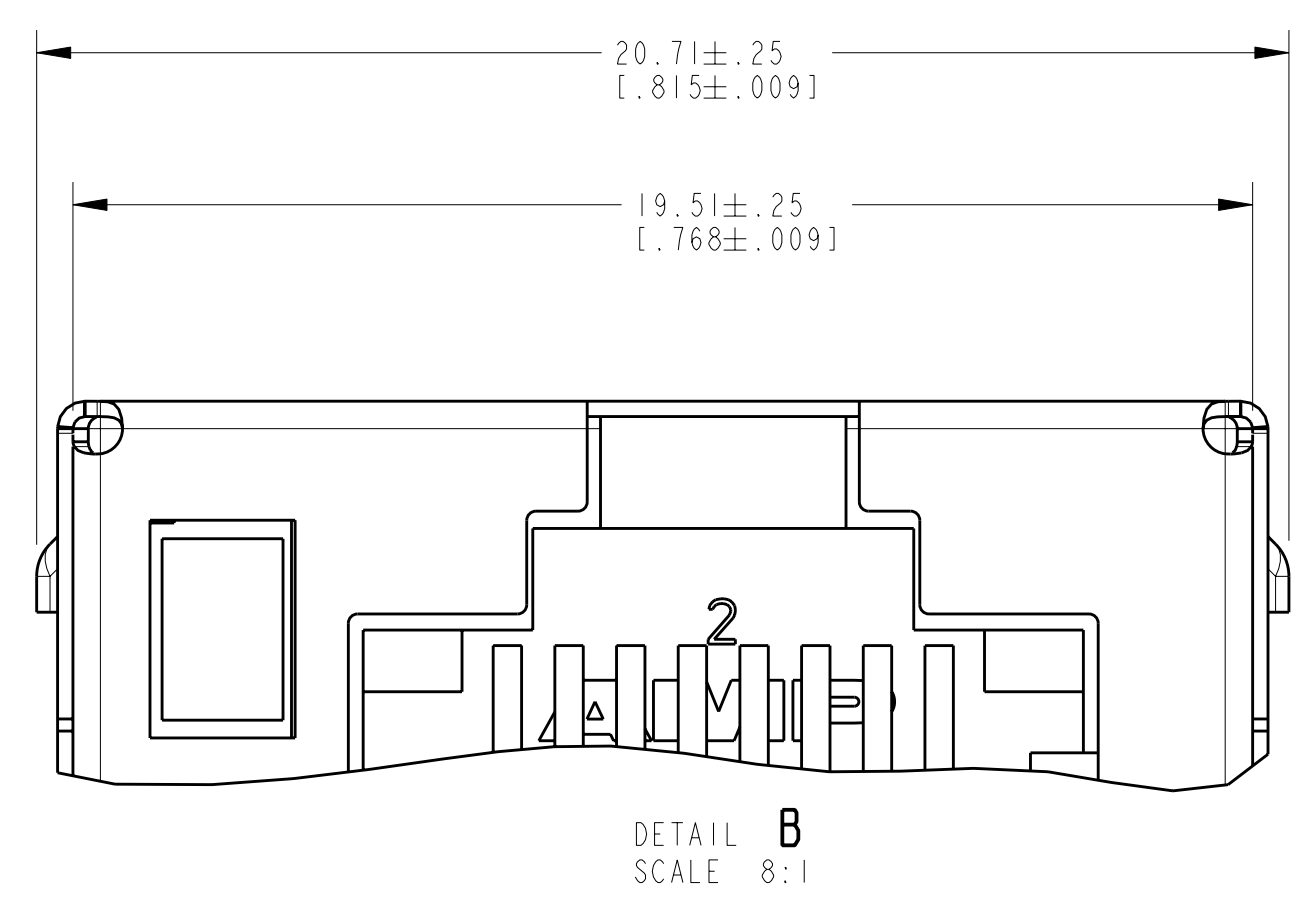
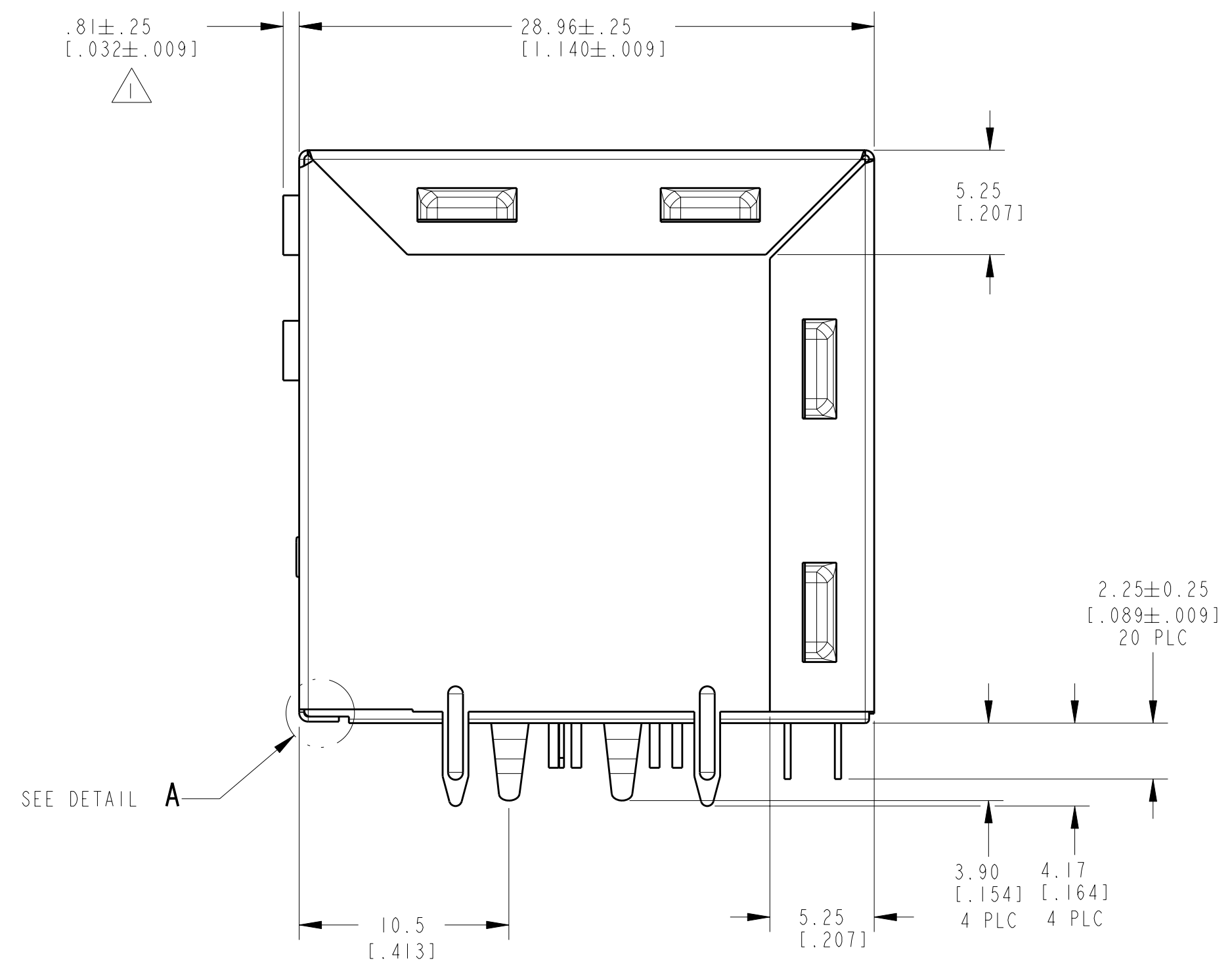
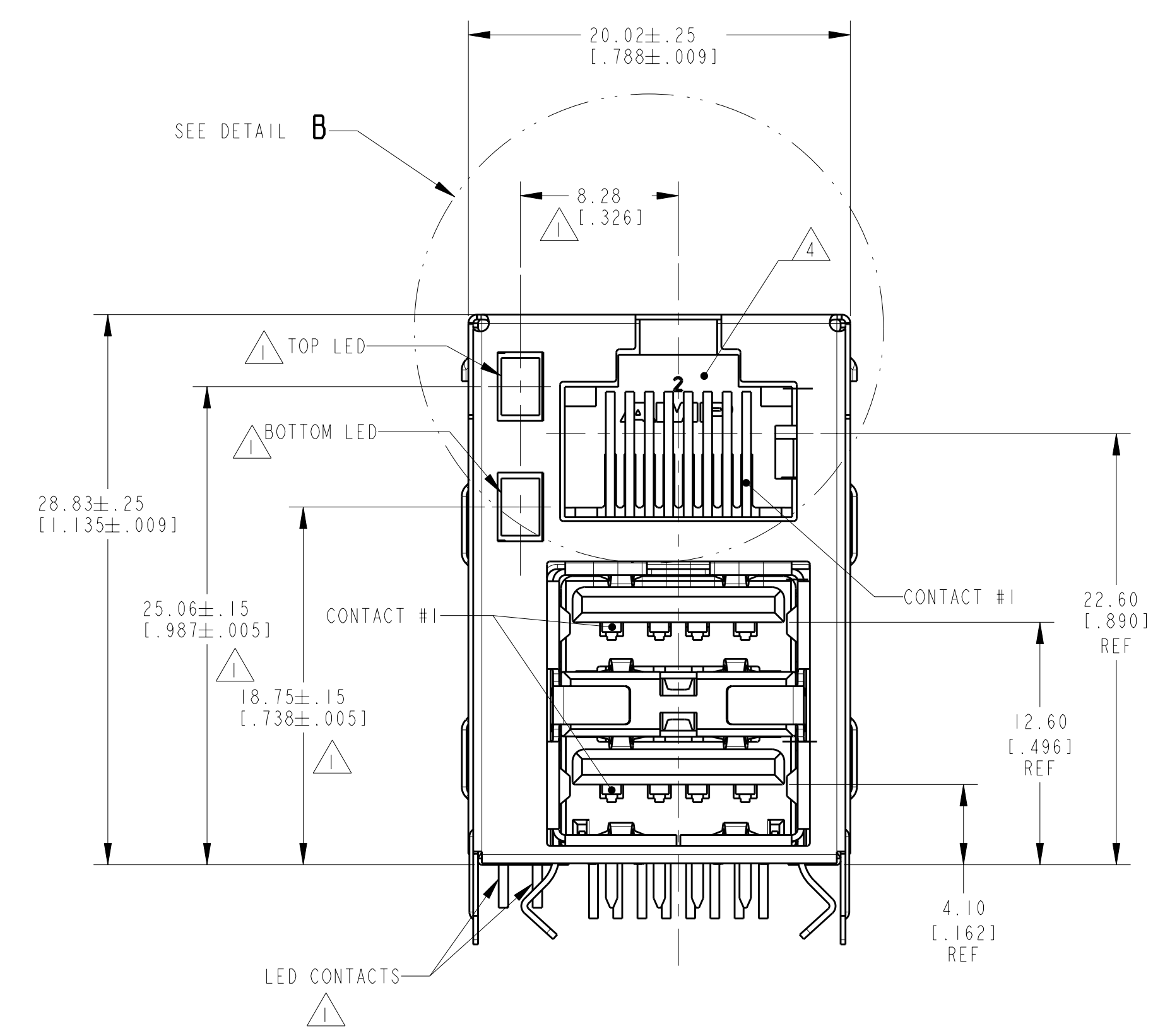


LOC	DIST	REV	DATE	BY	CHK	APPV	DESCRIPTION
AA	00	D	19JUN2006	LAM	PR		ECO-06-013793

- 1. 1116151-2 & 1116151-4 ONLY.
- 2. DATUM AND BASIC DIMENSION ESTABLISHED BY CUSTOMER.
- 3. RECOMMENDED PC BOARD THICKNESS OF 1.57[.062].
- 4. RJ45 JACK CAVITY CONFORMS TO FCC RULES AND REGULATIONS, PART 68 SUBPART F.
- 5. MATERIAL:
  - HOUSING: PLASTIC HOUSINGS: UL94V-0/5V THERMOPLASTIC. SEE TABLE FOR COLOR.
  - TERMINAL: USB: 0.251±0.013 THICK PHOSPHOR BRONZE PLATED WITH 1.27µm NICKEL. IN LOCALIZED GOLD PLATE AREA 0.076µm MIN GOLD OVER 0.76µm MIN PALLADIUM-NICKEL IS ADDED OVER NICKEL UNDERPLATE. IN SOLDER AREA 3.8µm MIN 93/7% BRIGHT TIN-LEAD IS ADDED OVER NICKEL UNDERPLATE.
  - RJ45: 0.318 THICK PHOSPHOR BRONZE PLATED WITH 1.27µm MIN THICK GOLD IS ADDED OVER NICKEL UNDERPLATE. IN SOLDER AREA 3.8µm MIN 93/7% TIN-LEAD IS ADDED OVER NICKEL UNDERPLATE.
  - LED: 0.5 DIAMETER CARBON STEEL LEADS PREPLATED WITH 7.62µm TIN OVER 2.03µm SILVER OVER 1.02µm COPPER OVER 3.56µm NICKEL OVER 1.02µm COPPER
  - SHIELD: OUTER: 0.254 THICK COPPER-ZINC ALLOY PREPLATED WITH BRIGHT 93/7% TIN-LEAD ALLOY 2µm TO 3.8µm THICK.
  - INNER: 0.318 THICK COPPER-ZINC ALLOY PREPLATED WITH BRIGHT 93/7% TIN-LEAD ALLOY 2µm TO 3.8µm THICK.
  - USB: 0.318 THICK PHOSPHOR-BRONZE PREPLATED WITH 5.1µm MIN TIN.
- 6. UNLESS OTHERWISE SPECIFIED ALL DIMENSIONS ARE NOMINAL.

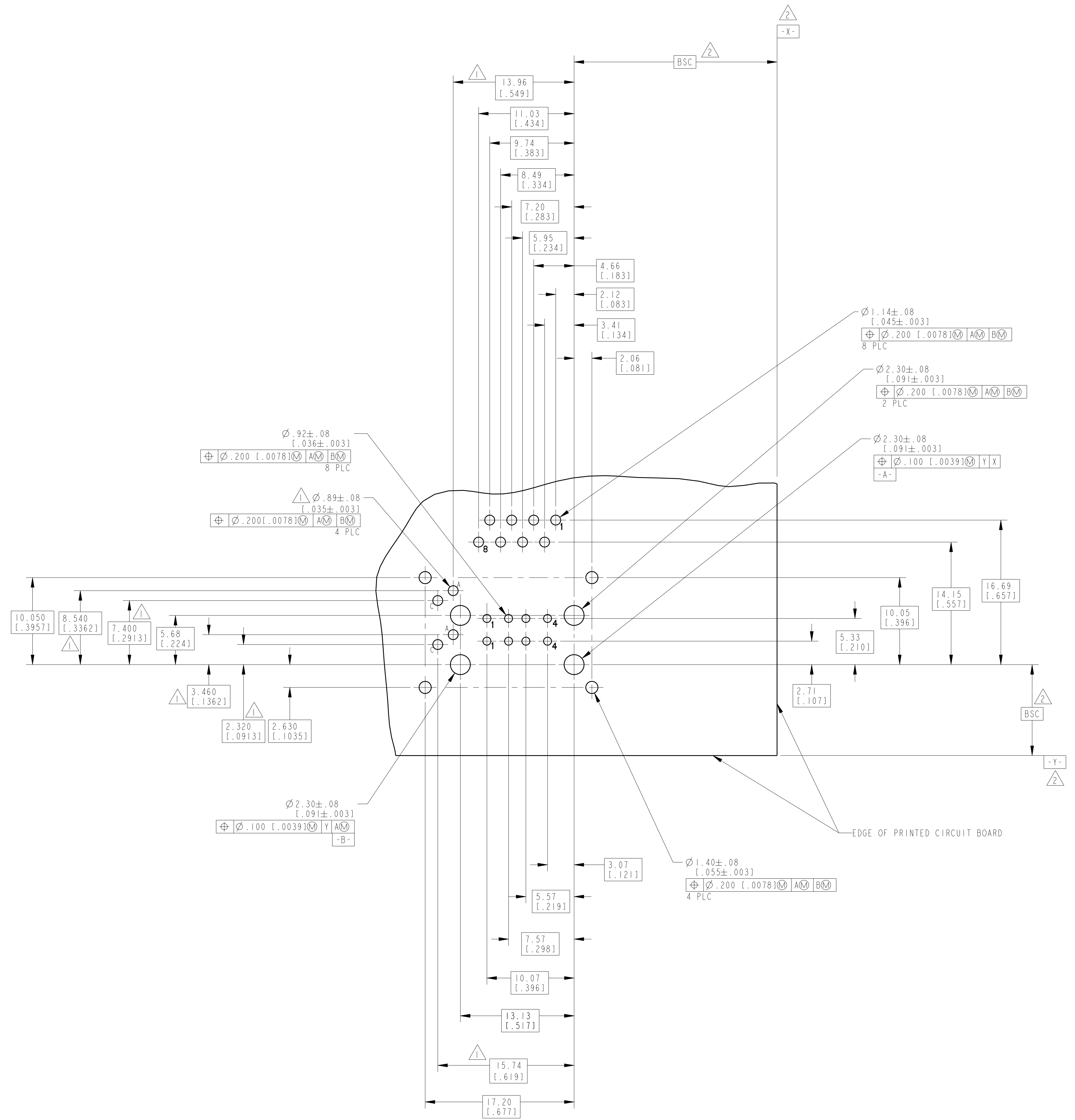


P/N 1116151-2 & 1116151-4 WITH LEDS

BOTTOM LED	TOP LED	HOUSING COLOR	PART NUMBER
GREEN	GREEN	BLACK	1116151-4
NO LED	NO LED	TURQUOISE	1116151-3
YELLOW	GREEN	BLACK	1116151-2
NO LED	NO LED	BLACK	1116151-1

DIMENSIONS: mm [INCHES] TOLERANCES UNLESS OTHERWISE SPECIFIED: 9 PLC ± 5 PLC ±0.13[.005] 4 PLC ± ANGLES ±1° FINISH SEE NOTE 5		DWN BY: HOLTZCLAW 1JAN99 CHK: LAURER 18JAN99 APPV: LAURER 18JAN99 PRODUCT SPEC APPLICATION SPEC WEIGHT CUSTOMER DRAWING	NAME: ASSEMBLY, RJ-45 MODULAR JACK OVER STACKED USB RECEPTACLE, WITH LEDS AND WITHOUT LEDS SIZE: CAGE CODE DRAWING NO. RESTRICTED TO A1 00779 C=1116151 SCALE: 4:1 SHEET 1 OF 2 REV D
---	--	---	--

LOC	DIST	REV	DATE	BY	APPD
AA	00				
		DESCRIPTION	DATE	BY	APPD
		SEE SHEET 1			



RECOMMENDED PCB LAYOUT <sup>3</sup>

<small>THIS DRAWING IS UNPUBLISHED. RELEASED FOR PUBLICATION BY TYCO ELECTRONICS CORPORATION. ALL RIGHTS RESERVED. THIS DRAWING IS UNPUBLISHED. RELEASED FOR PUBLICATION BY TYCO ELECTRONICS CORPORATION, ALL RIGHTS RESERVED.</small>		DWN: B. HOLTZCLAW 1 JAN 99 CHK: E. LAURER 18 JAN 99 APVD: E. LAURER 18 JAN 99	<b>tyco</b> Electronics TYCO Electronics Harrisburg, PA 17105-3608
DIMENSIONS: mm [ INCHES ]	TOLERANCES UNLESS OTHERWISE SPECIFIED: 9 PLC ± 1 PLC ± 2 PLC ±0.131 [ .005 ] 3 PLC ± 4 PLC ± ANGLES ±1°	NAME: PRODUCT SPEC: APPLICATION SPEC: WEIGHT:	ASSEMBLY, RJ-45 MODULAR JACK OVER STACKED USB RECEPTACLE, WITH LEDS AND WITHOUT LEDS SIZE: CAGE CODE: DRAWING NO: RESTRICTED TO: A   00779   C=1116151
MATERIAL: SEE NOTE 5 FINISH: SEE NOTE 5	CUSTOMER DRAWING	SCALE: 4:1	SHEET 2 OF 2 REV D